

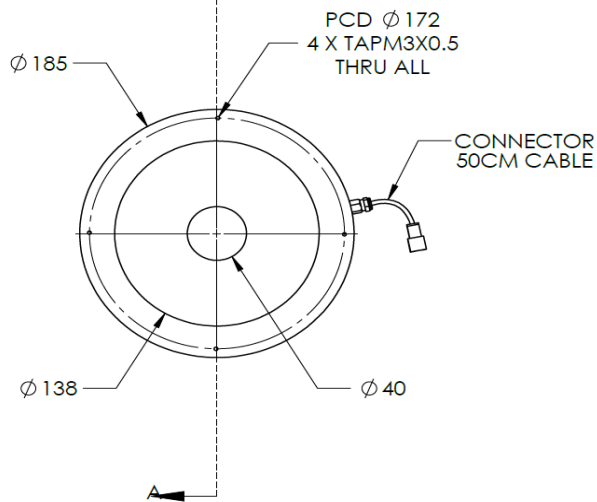
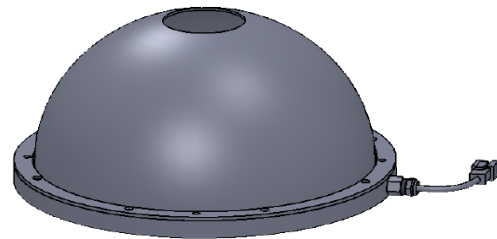
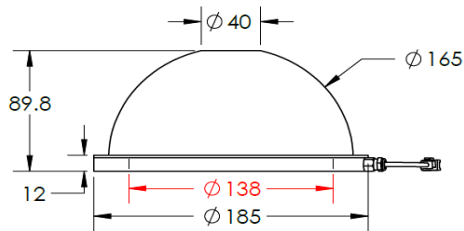


OPTO ENGINEERING

# ILLUMINATOR DATA

## LT5WRG150-00-1-W-24V

### Lighting Dimension



SECTION A-A  
SCALE 1 : 3.5



### Mechanical Information

Casing Material	Aluminium
Storage Temperature Range	0 - 45°C
Storage Humidity Range	20 - 85%
Weight	483 g
Length / Outer Diameter	185 mm
Width / Inner Diameter	40 mm
Thickness / Height	89.8 mm



OPTO ENGINEERING

# ILLUMINATOR DATA

## LT5WRG150-00-1-W-24V

Lighting Information										
Part Number	LT5WRG150-00-1-W-24V									
LED Color	WHITE									
Wavelength	REFER TO CHROMACITY TABLE									
Working Distance	50 mm	60 mm	80 mm							
Intensity (±15%)	34700 lx	29700 lx	21900 lx							
Illumination (number of row)	1									
Illumination Active Area	Active Length / Outer Dia.			138 mm						
	Active Width / Inner Dia.			40 mm						
Emission angle	0									
Eye Safety Class ( IEC62471 )	EXEMPT									
Chromaticity Table	X					Y				
For White colour only	0.296	0.287	0.307	0.311	0.311	0.311	0.307	0.33	0.33	
	0.276	0.295	0.315	0.294	0.294	0.294	0.315	0.339	0.318	

Electrical Information	
Rated Constant Voltage	24V±2%
Rated Constant Current	930 mA
Power Consumption	22.32 W
Casing temperature, After 60 minutes operation	61 °C

Strobe Mode Specification	
*Normal Strobe Voltage	24 V
*Normal Strobe Current	930 mA
Overdrive Voltage Range	Min: 36V Max: 48V
Overdrive Current Range	Min: 2.52 A Max: 4.2 A
Recommended Overdrive Voltage	36V
**Max. Trigger Pulse Duration	10 msec
**Max. Duty Cycle	10%

\*Normal strobe means the lighting is operated using the rated power. Overdrive means the power supplied to the lighting exceeded the rated power.


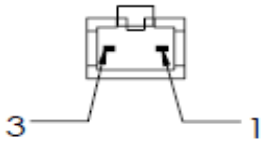
\*\*Overdrive condition must not exceed the max. trigger pulse duration and max. duty cycle.



OPTO ENGINEERING

# ILLUMINATOR DATA

## LT5WRG150-00-1-W-24V

Connection Information			
Connector Type (Default)	JST SMR-03V		
Cable Length	50 cm		
Pin Configuration 	Pin	Signal	Cable Colour
	1	LED +	Red
	2	N.C	-
	3	LED -	White
			

Additional Information	
Additional Cooling Method	Attached to machine part for better heat dissipation
Intensity Controller Selection	SD, ST, ANG, LC, SDA, SDP series
CE Conformity	YES
RoHS Compliance	YES

Application	
Illumination Type	Indirect Dome Illumination
Application Use	Cracks, Chips, Stains & Marks on Circular or Cylindrical Objects Inspection, Solder and Substrate Inspection.



OPTO ENGINEERING

# ILLUMINATOR DATA

## LT5WRG150-00-1-W-24V

Lighting Pattern				
Working Distance	For further details please contact us.			
Display and Image				
Data Results	Horizontal	Meas.(mm)	Vertical	Meas.(mm)
	90%		90%	
	80%		80%	
	70%		70%	
	60%		60%	
	50%		50%	
	40%		40%	
	30%		30%	
	20%		20%	
	10%		10%	